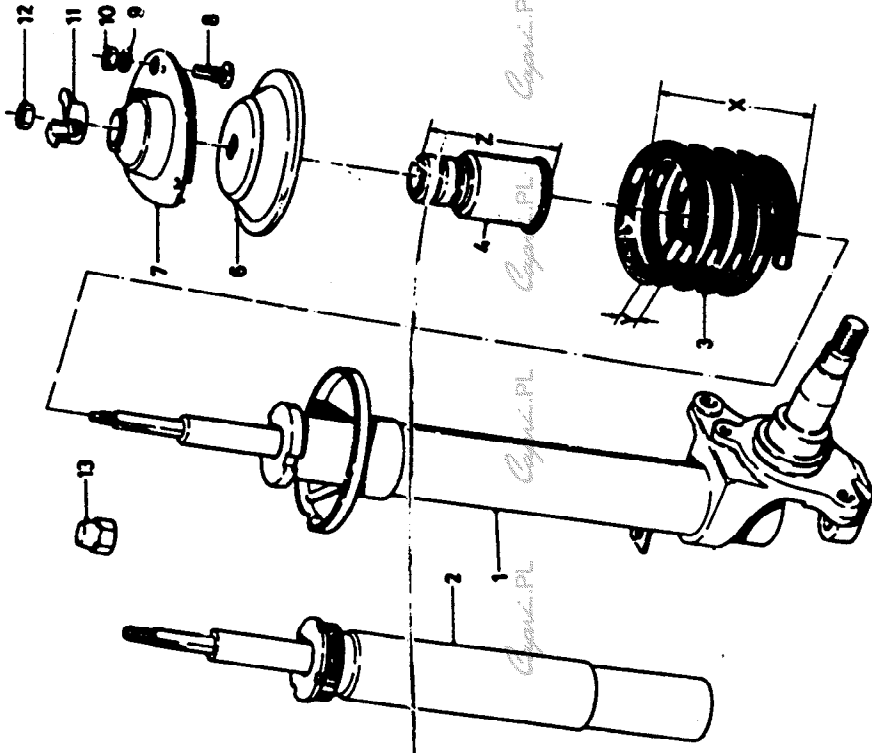


# B2.10



AMORTIGUADORES, RESORTES DELANTEROS

STOSSDAEMPER, FEDERN VORN

A) FOR VEHICLES BUILT UP TO 06/75 USE IN PAKS ONLY  
 FÜR FAHRZEUGE GEMAUT BIS 06/75 NUR IN PAK WEISE VERWENDEN  
 POUR VEHICULES FABRIQUES JUSQUE 06/75 A UTILISER UNiquement PAI PAKES  
 PARA VEHICULOS FABRICADOS HASTA 06/75 SOLO UTILIZAN A PAKES

B) FOR EXPORT ONLY  
 C) EXCEPT 5-PACKAGE  
 NUR FÜR 5-PACKET  
 UNQUIPMENT FOUR EQUIPMENT S  
 SOLO PARA EQUIPO S

D) EXCEPT 5-SEATER  
 NUR FÜR 5-SITZER  
 SAUF VORTURE POUR S PERSONNES  
 EXCEPTO COCHE PARA S PASAJEROS

E) EXCEPT 5-PACKAGE  
 NUR FÜR 5-PACKET  
 UNQUIPMENT FOUR EQUIPMENT S  
 SOLO PARA EQUIPO S

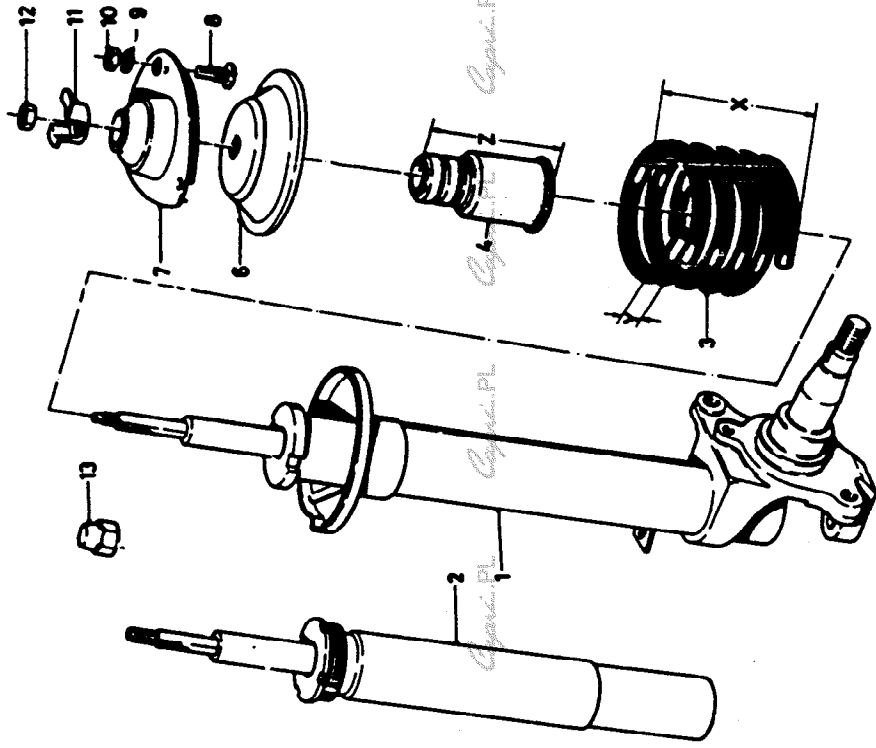
F) EXCEPT 5-SEATER  
 NUR FÜR 5-SITZER  
 SAUF VORTURE POUR S PERSONNES  
 EXCEPTO COCHE PARA S PASAJEROS

G) EXCEPT 5-PACKAGE  
 NUR FÜR 5-PACKET  
 UNQUIPMENT FOUR EQUIPMENT S  
 SOLO PARA EQUIPO S

H) EXCEPT 5-SEATER  
 NUR FÜR 5-SITZER  
 SAUF VORTURE POUR S PERSONNES  
 EXCEPTO COCHE PARA S PASAJEROS

ILL. REF.	PART NAME TELE-BEZEICHNUNG	MOD. YEAR BAUJAHR	PROOF NO. MSTELL-NR	QTY STR	PART NUMBER TELE-NUMMER
1	SHOCK ASSEMBLY STOSSDAEMPER AMORTISSEUR AMORTIGUADOR				
	RH				
	KL, TL	STD	6049776	1	74EB 3033 CA
	KL, TL	STD	1583023	1	74EB 3033 AB
	KL, TL	H.D.	6049778	1	74EB 3033 GA
	KL, TL	H.D.	6046662	+	+
	EV90	L, GT	1576616	+	+
	EV90	L, GT	1583036	+	+
	EV90	GHA	1571782	+	+
	EV90	GHA	1583024	+	+
	KL, TL	STD	6049776	1	74EB 3033 CA
	EV90	-T	6032203	+	+
	EV90	-T	1571782	+	+
	KL, TL	H.D.	6049776	1	74EB 3033 CA
	TV23	H.D.	6049776	1	74EB 3033 CA
	EV90, 23	H.D.	6049776	1	74EB 3033 CA
	EV90	-T	1571782	+	+
	KL, TL, TV	+T	6049778	1	74EB 3033 GA
	TL16	-T	6049776	1	74EB 3033 CA
	TL16	+T	6049778	1	74EB 3033 GA
	TV20, 23		6049778	1	74EB 3033 GA
	EV90	GHA	1571782	+	+
	EV90	GHA	1583024	+	+
	EV90	GHA	6032203	+	+
	KL, TL	STD	6046370	1	74EB 3033 AB
	KL, TL	STD	1583023	1	74EB 3033 CA
	KL, TL	STD	6049776	1	74EB 3033 CA
	TV20, TV23	STD	6049776	1	74EB 3033 CA
	KL, TL, TV20, TV23	H.D.	6049776	1	74EB 3033 CA
	TV20, TV23	STD	6049778	1	74EB 3033 GA
	TV20, TV23	+T	6049778	1	74EB 3033 GA

# B2.10

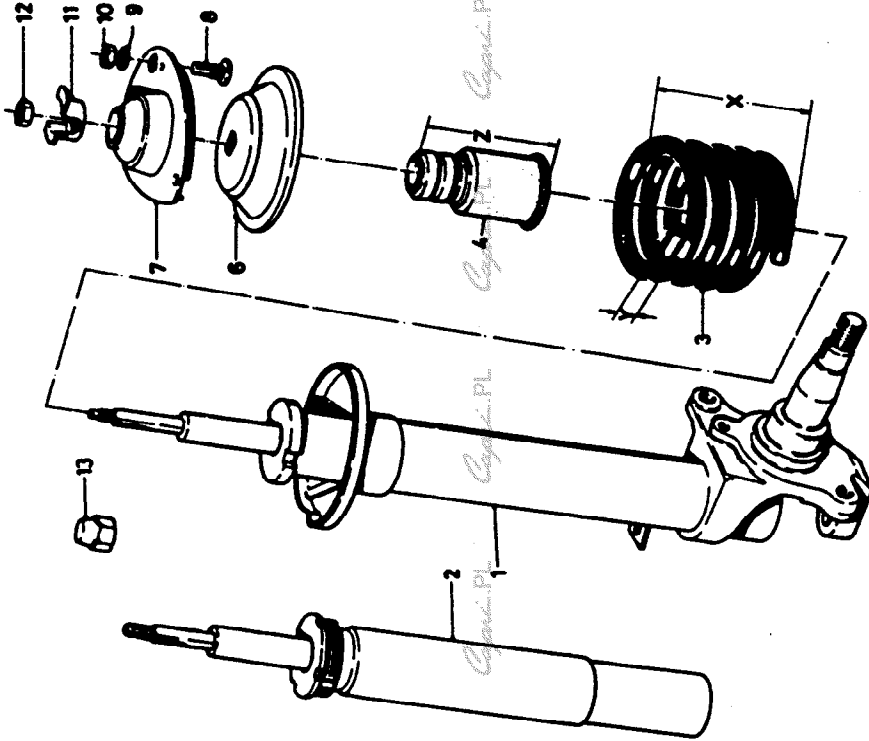


Part No.	QTY	UNIT	DESCRIPTION	REMARKS
604-9778	1	EA	SHOCK ABSORBER BODY	
604-6374	1	EA	SHOCK ABSORBER CAP	
1571782	1	EA	SHOCK ABSORBER SPRING	
1583024	1	EA	SHOCK ABSORBER SPRING SEAT	
1575104	1	EA	SHOCK ABSORBER SPRING SEAT	
1571785	1	EA	SHOCK ABSORBER SPRING SEAT	
1583026	1	EA	SHOCK ABSORBER SPRING SEAT	
1571783	1	EA	SHOCK ABSORBER SPRING	
604-9779	1	EA	SHOCK ABSORBER BODY	
1575104	1	EA	SHOCK ABSORBER SPRING SEAT	
1571785	1	EA	SHOCK ABSORBER SPRING SEAT	
1553697	1	EA	SHOCK ABSORBER SPRING SEAT	
604-9779	1	EA	SHOCK ABSORBER BODY	
604-9781	1	EA	SHOCK ABSORBER BODY	
604-9781	1	EA	SHOCK ABSORBER BODY	
604-9779	1	EA	SHOCK ABSORBER BODY	
604-9781	1	EA	SHOCK ABSORBER BODY	
604-9781	1	EA	SHOCK ABSORBER BODY	
1571785	1	EA	SHOCK ABSORBER SPRING SEAT	
1583026	1	EA	SHOCK ABSORBER SPRING SEAT	
1595748	1	EA	SHOCK ABSORBER SPRING SEAT	
6125494	1	EA	SHOCK ABSORBER SPRING SEAT	
1571788	2	EA	SHOCK ABSORBER SPRING	
1571789	2	EA	SHOCK ABSORBER SPRING SEAT	
1555135	2	EA	SHOCK ABSORBER SPRING SEAT	
1571789	2	EA	SHOCK ABSORBER SPRING	
1554566	2	EA	SHOCK ABSORBER SPRING SEAT	
1571788	2	EA	SHOCK ABSORBER SPRING	
1553777	2	EA	SHOCK ABSORBER SPRING SEAT	
1575712	2	EA	SHOCK ABSORBER SPRING SEAT	
1571788	2	EA	SHOCK ABSORBER SPRING	

CARTRIDGE ASSY - (SHOCK ABSORBER)  
 STOSSDAEMPFERNSATZ  
 CARTOUCHE - AMORTISSEUR  
 CARTUCHO - AMORTIGUADOR

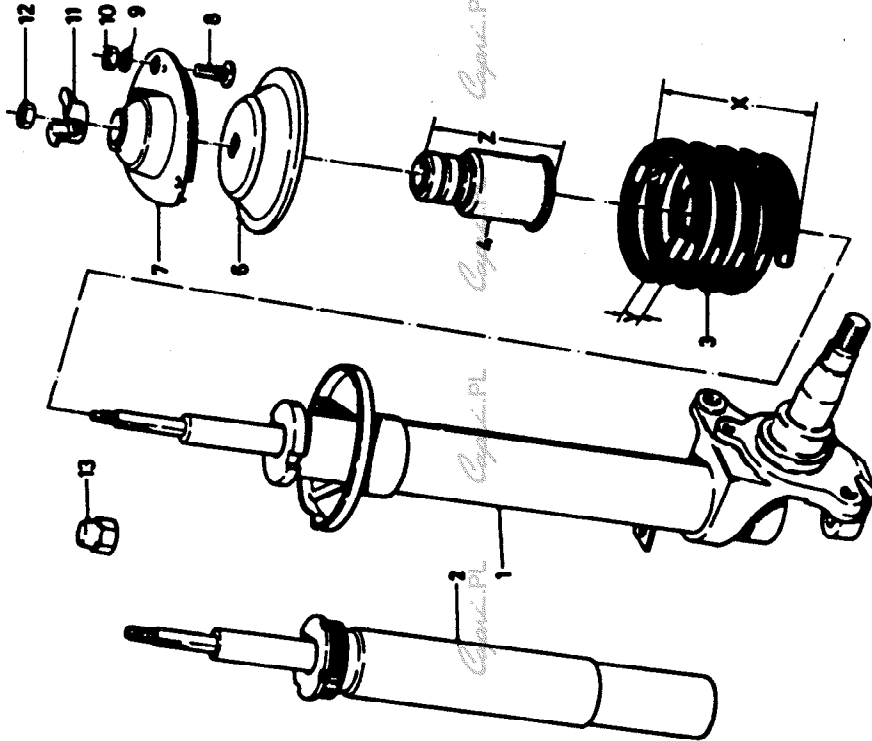


# B2.10



ROSA/LEU ROSA/AZUL	X = 31	Y = 10,9	TL20 TL20	LS/GT LS/GT	STD STD	6010480 2 6014480 2	NEB 5310 DA NEB 5310 DAK
BROWN/RED BRAUN/ROT BRUN/ROUGE PANDO/ROJO	X = 330	Y = 10,9	TL16	-T STD		6038137 2 6038137 2	NEB 5310 VA NEB 5310 VA
BROWN/WHITE BRAUN/WEISS BRUN/BLANC PANDO/BLANCO	X = 319	Y = 10,9				6038255 2	NEB 5310 YA
YELLOW/LILAC GELB/LILA JAUNE/LILAS AMARILLO/LILA	X = 338	Y = 11,3	TL20		H D	6017607 2 6017607 2	NEB 5310 HA NEB 5310 HA
BLUE/LILAC BLAU/LILA BLU/LILAS AZUL/LILA	X = 328	Y = 11,3	TL16	-T H D		6023344 2 6023344 2	NEB 5310 MA NEB 5310 MA
GREEN / WHITE GRÜN / WEISS VERT / BLANC VERDE / BLANCO	X = 318	Y = 11,7				6023345 2	NEB 5310 NA
ORANGE / WHITE ORANGE / WEISS ORANGE / BLANC NARANJA / BLANCO	X = 293	Y = 11,9	TV28 NU TV28 NU TV23	S	STD	1595702 2 6125557 2 6125557 2	+3) 6125557 6125557 2 6125557 2
BLUE/GREY BLAU/GRAU BLU/GRS AZUL/GRS	X = 293	Y = 11,9				6023346 2	NEB 5310 PA
PINK/GREY ROSA/GRAU ROSA/GRS ROSA/GRS	X = 298	Y = 11,35	TL20	S	STD	6125558 2	63EB 5310 AA
BUFFER ANSCHLAGPUFFER TAPPON	Z = 130 Z = 137		KL, TL, LV, TV20, TV23		STD H D	1450810 2 1450812 2	69EB 3025 AA 69EB 3025 BA

# B2.10



(1)

6

7

8

9

10

11

12

13

HOSE - FRONT SPRING (SELENCING)  
SCHLAUCH - GERAUEISCHAEFFLUNG VORDEFFEDER  
TUBE FLEXIBLE ANTI-NUIT - RESSORT AV  
TUBO FLEXIBLE SELENCIADOR - RESORTE DELANTERO

SEAT ASSY - (FRONT SPRING) - UPPER  
FEDERTEILER OBER  
COUPELLE SUPERIEURE DE RESSORT  
ASIENTO SUPERIOR DE PUELLE

MOUNTING ASSY  
STUETZLAGER  
PALIER DE BUTEE  
ALOJAMIENTO DE BIFUJE

SCREW - SPECIAL  
SPEZIALSCHRAUBE  
VIS SPECIALE  
TORNILLO ESPECIAL

WASHER - FLAT  
UNTERLEGSCHIBE  
RONDELLE PLATE  
ARANDOLA PLANA

NUT - HEX  
SCHRAUNUTZTER  
ECROU A SIX PANS  
TUERCA HEXAGONAL

RETAINER  
HALTEBLECH  
PLAQUETTE D'ARRET  
PLATINA DE SEGURIDAD

NUT - HEX  
SCHRAUNUTZTER  
ECROU A SIX PANS  
TUERCA HEXAGONAL

CAP  
AUSDECKKAPPE  
CHAPEAU  
CHAPUCHON

6074060 6

1527381 2

6005147 2  
6005148 2

1518857 6  
6511085 6

1444685 6

1549071 6

6008132 2

1529625 2

6133957 2

D

CB

M8

20, TV03

HT3EB 5L302 AB

73EB 5A318 AA

73EB 5A35 A18  
(\*)

ER009A 576  
W700A32 5301

EE0027 571

EE00A33 572

73AB 3K07 AC

ER0090 572

83EB 16A179 AA

Copied PL Copied PL Copied PL